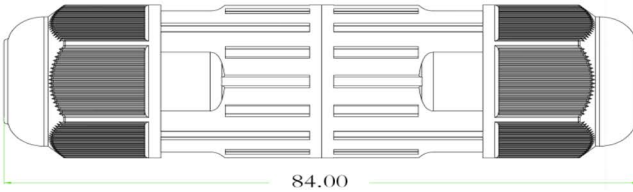
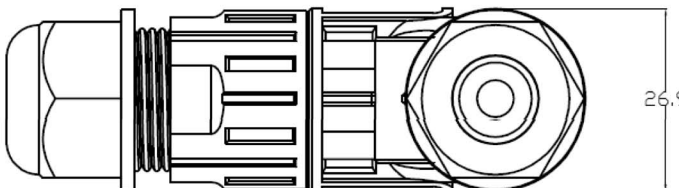
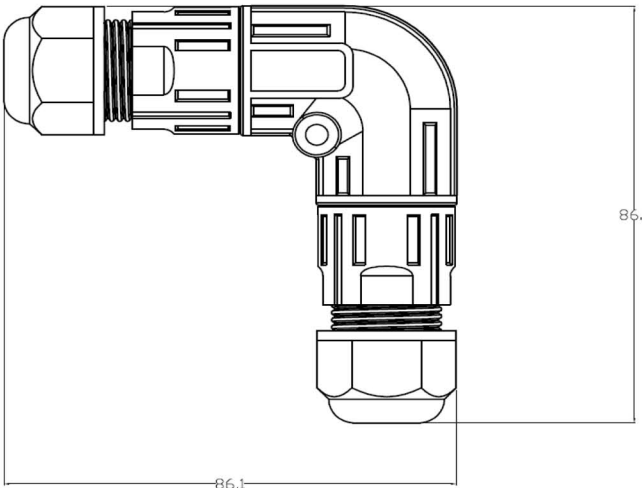


I-type



L-type



B701-3P series (I-type / L-type)



- IP68, high impact-protection
- Standard color : Black

Specification

- Housing / Cable Gland : Polyamide 66 (94-V0) / M16A
- Ambient Temperature : 110 °C
- Wiring Terminal : Nickel Plated Brass
+ Plated Steel Screw
- Voltage / Ampere Rating : 450V / 24A
- Waterproof Seal : Silicone

Cable - Seals for cables of outer diameter Ø



Ø 9-11mm
Grey



Ø 6-9mm
Orange



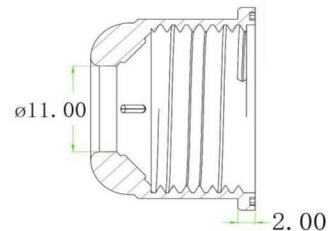
Ø 3-6mm
Red

Product Code

I-type : Vask-B701-3P (Cable seal options)

L-type : Vask-B701-3P-L (Cable seal options)

**Cable-fixing Screwing Nut
(diameter 11mm)**



3P Wiring Terminal Core

